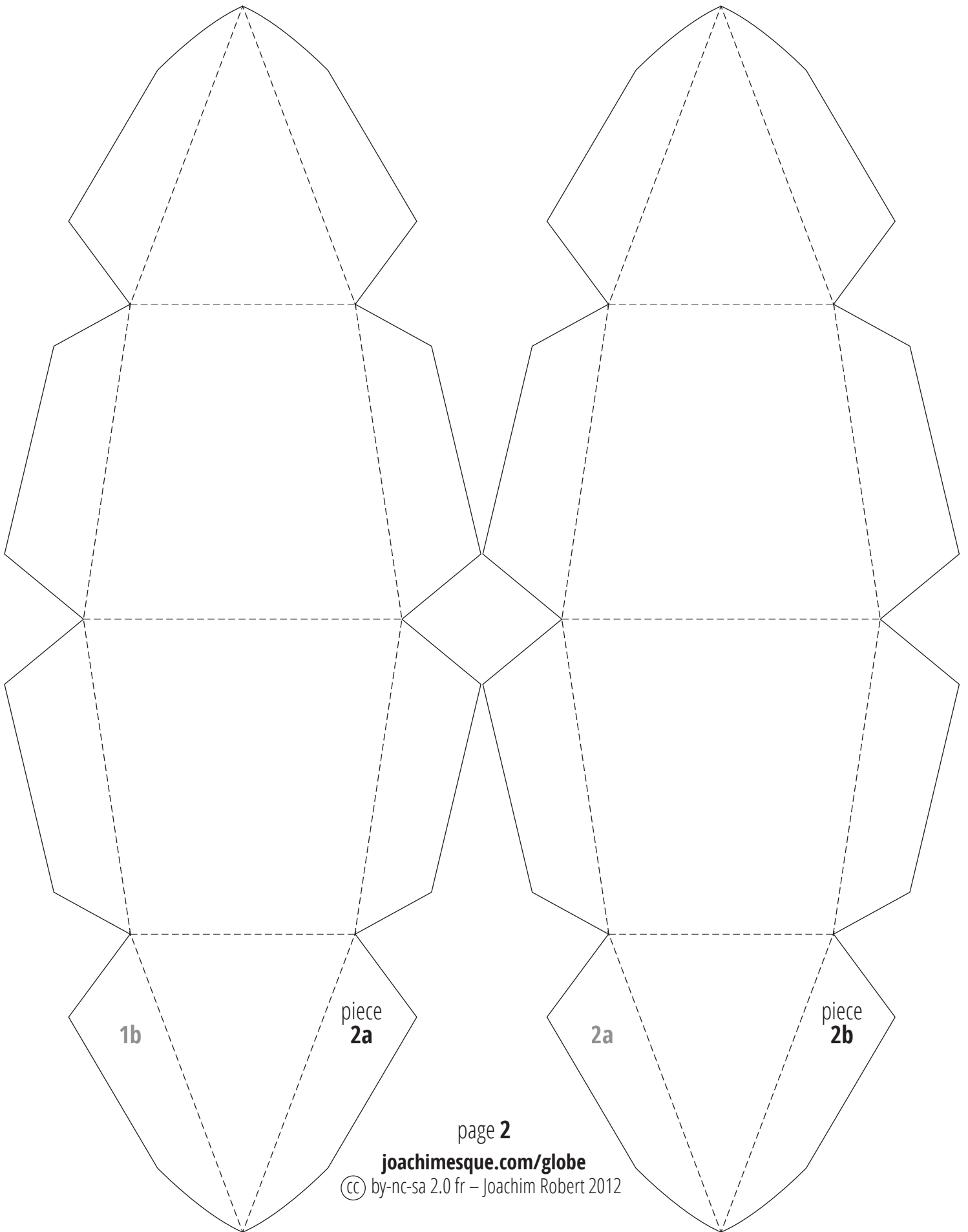


page 1

joachimesque.com/globe

© by-nc-sa 2.0 fr – Joachim Robert 2012

inspired by « *Sectional Globe - earth's axis, 23.4 degrees* » — www.geo-grafia.jp
geografia's globes are cheap and neat, you should really consider buying them one.

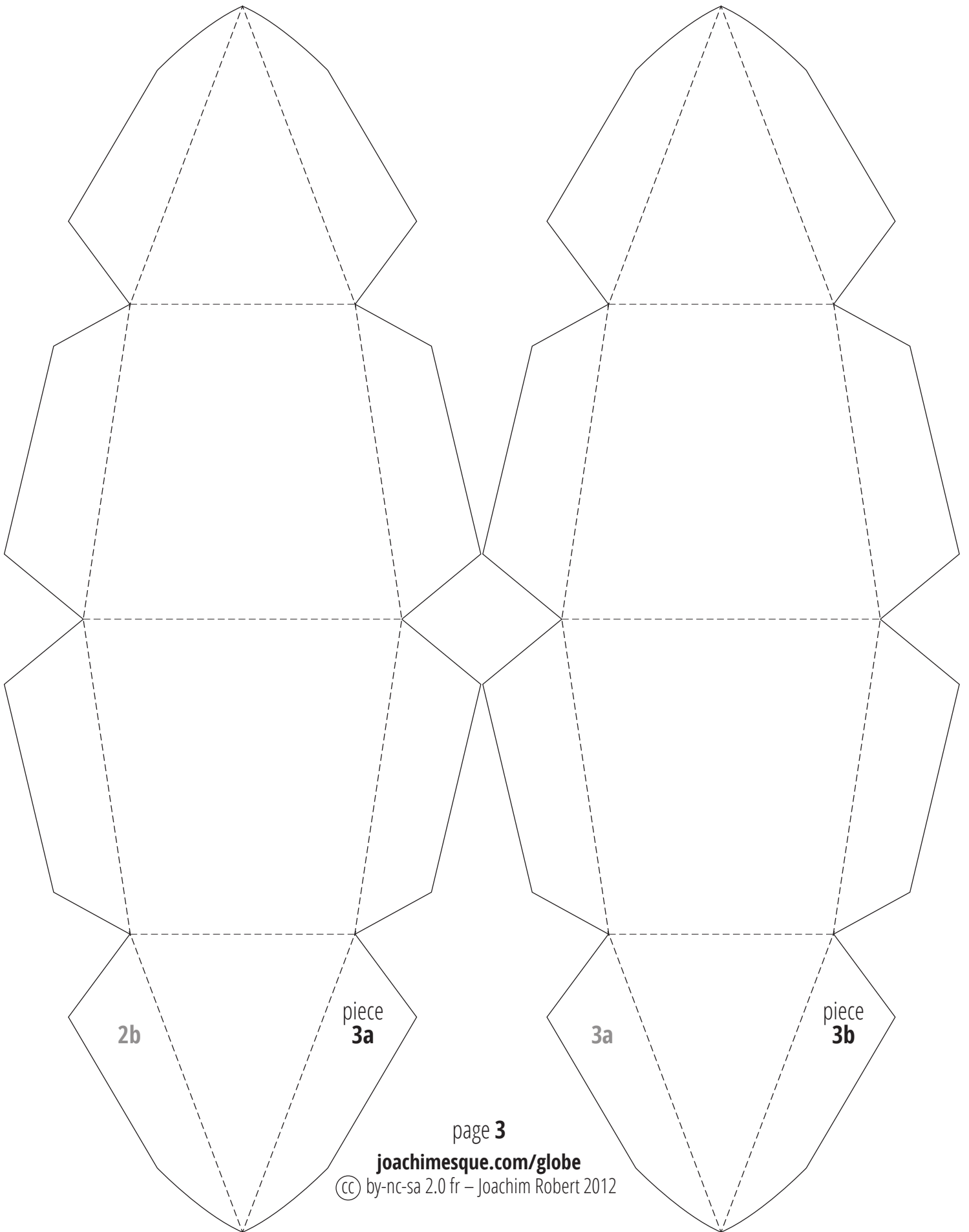


page 2

joachimesque.com/globe

© by-nc-sa 2.0 fr – Joachim Robert 2012

inspired by « *Sectional Globe - earth's axis, 23.4 degrees* » — www.geo-grafia.jp
geografia's globes are cheap and neat, you should really consider buying them one.

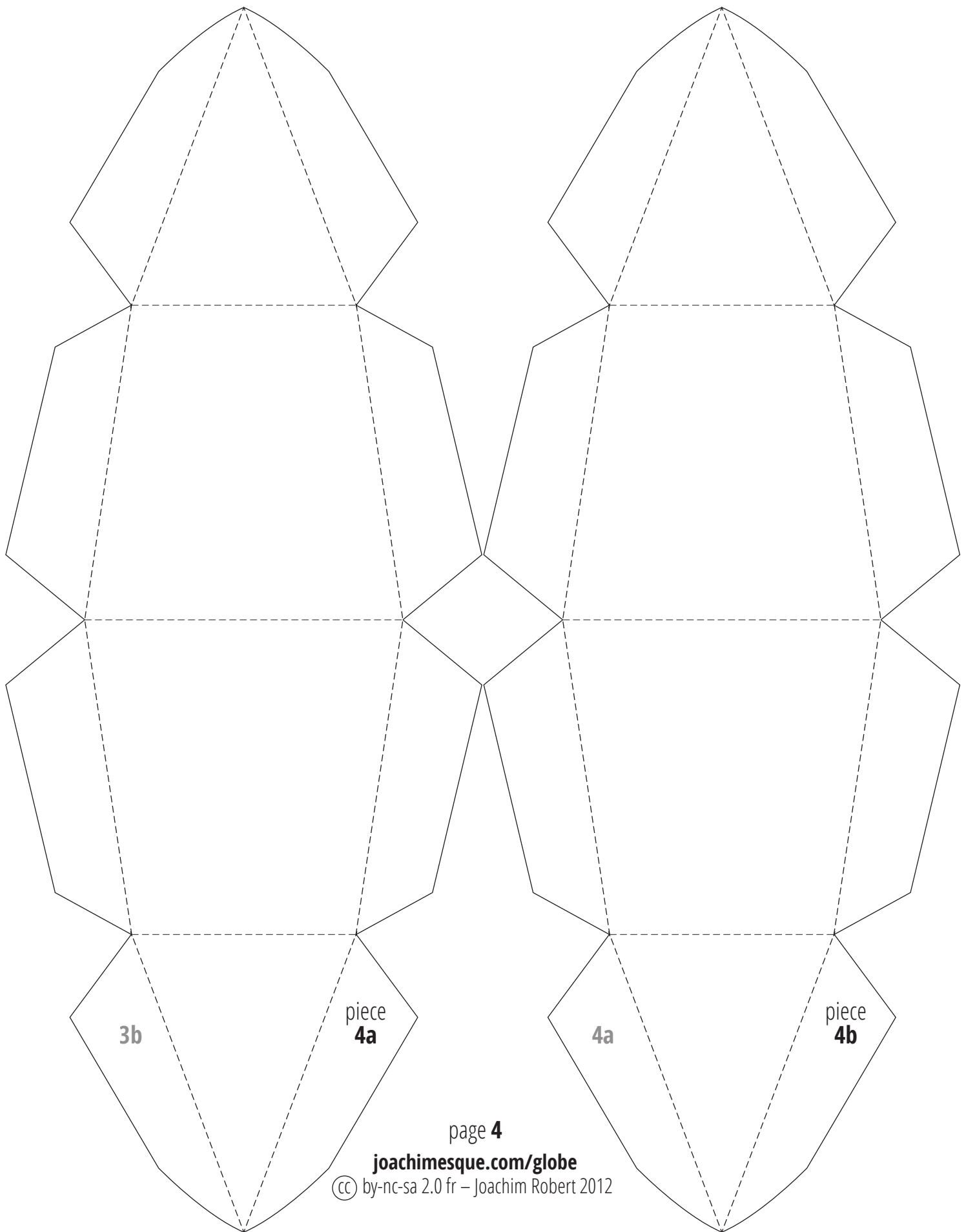


page 3

joachimesque.com/globe

© by-nc-sa 2.0 fr – Joachim Robert 2012

inspired by « *Sectional Globe - earth's axis, 23.4 degrees* » — www.geo-grafia.jp
geografia's globes are cheap and neat, you should really consider buying them one.

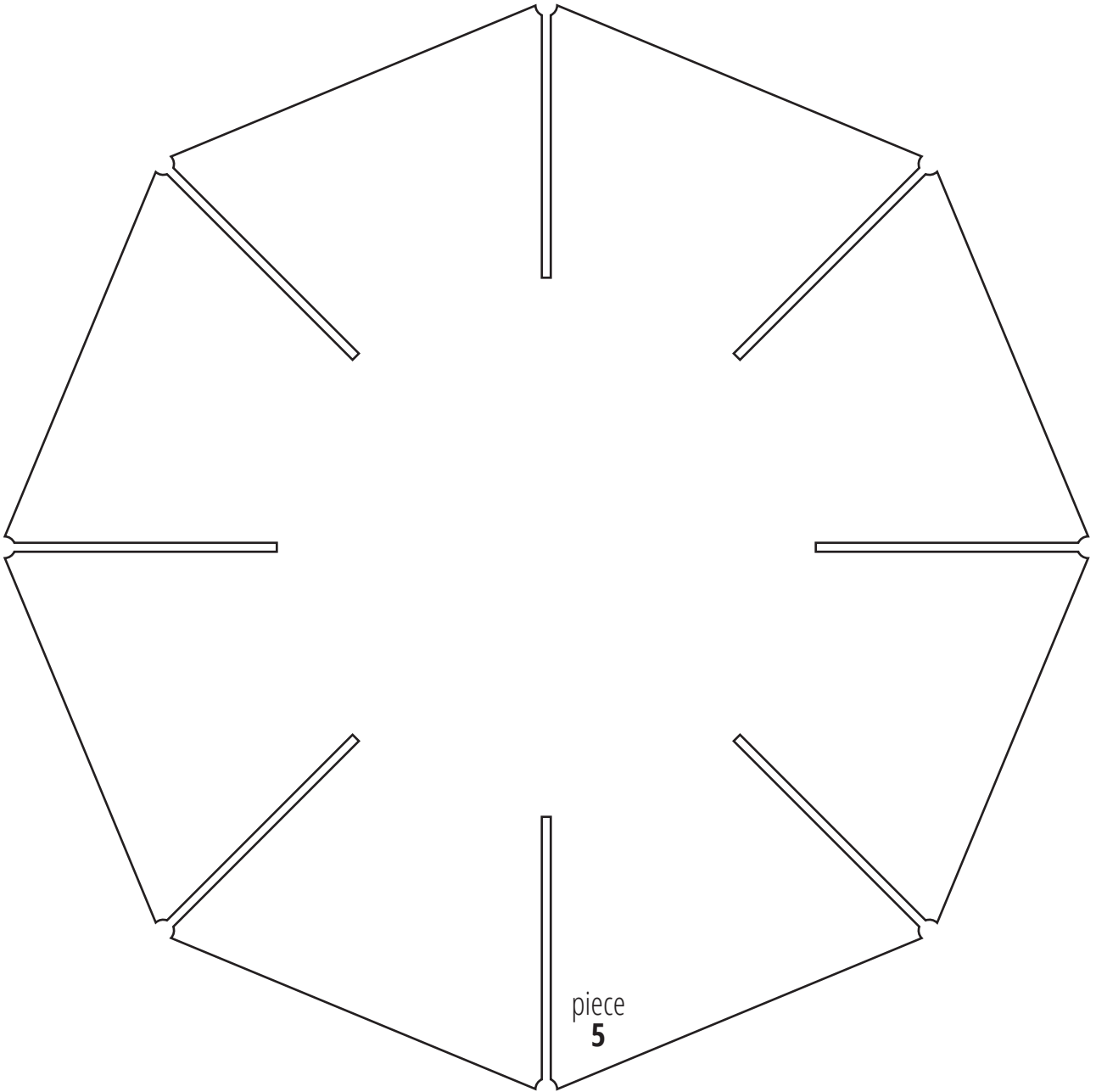


page 4

joachimesque.com/globe

© by-nc-sa 2.0 fr – Joachim Robert 2012

inspired by « *Sectional Globe - earth's axis, 23.4 degrees* » — www.geo-grafia.jp
geografia's globes are cheap and neat, you should really consider buying them one.

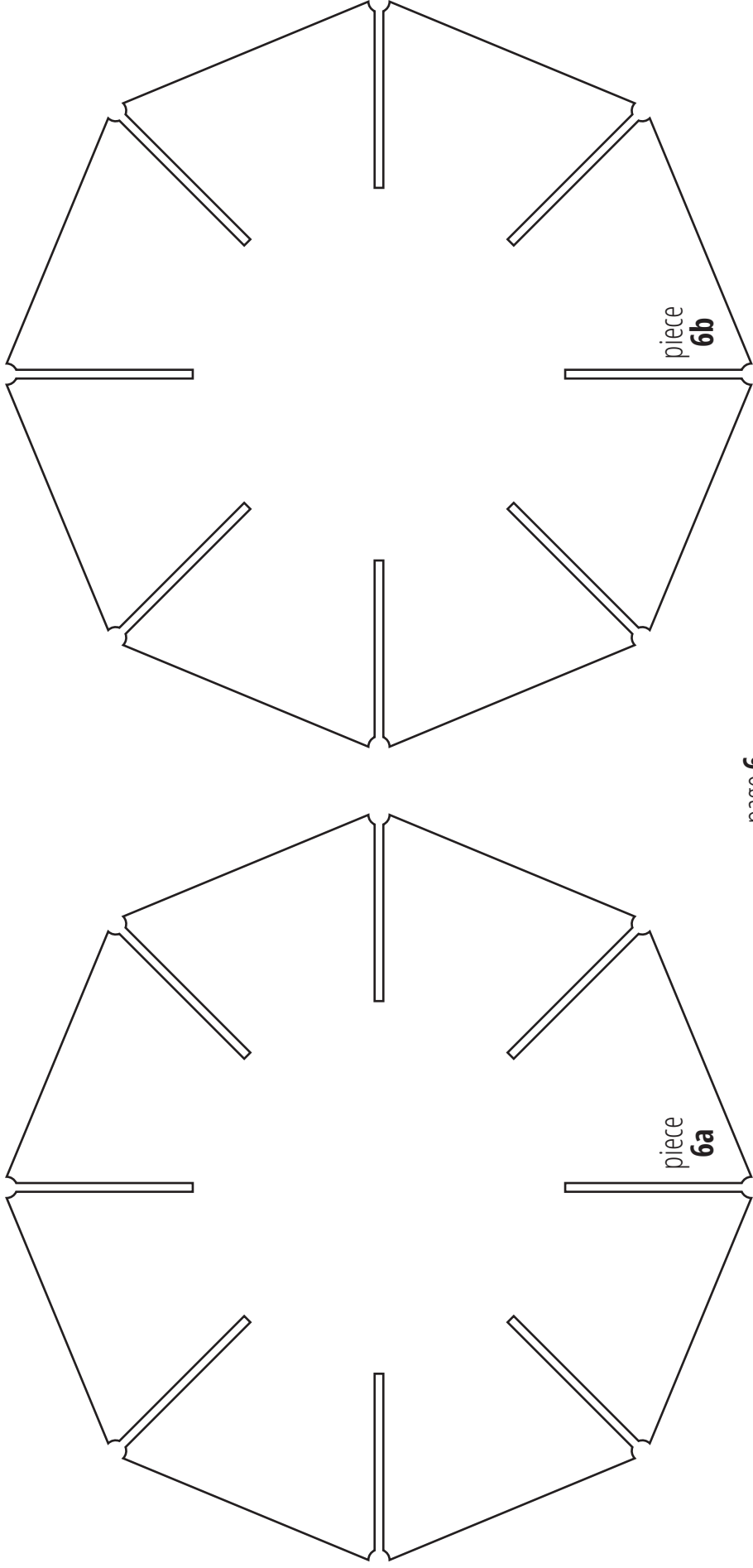


page 5

joachimesque.com/globe

© by-nc-sa 2.0 fr – Joachim Robert 2012

inspired by « *Sectional Globe - earth's axis, 23.4 degrees* » — www.geo-grafia.jp
geografia's globes are cheap and neat, you should really consider buying them one.

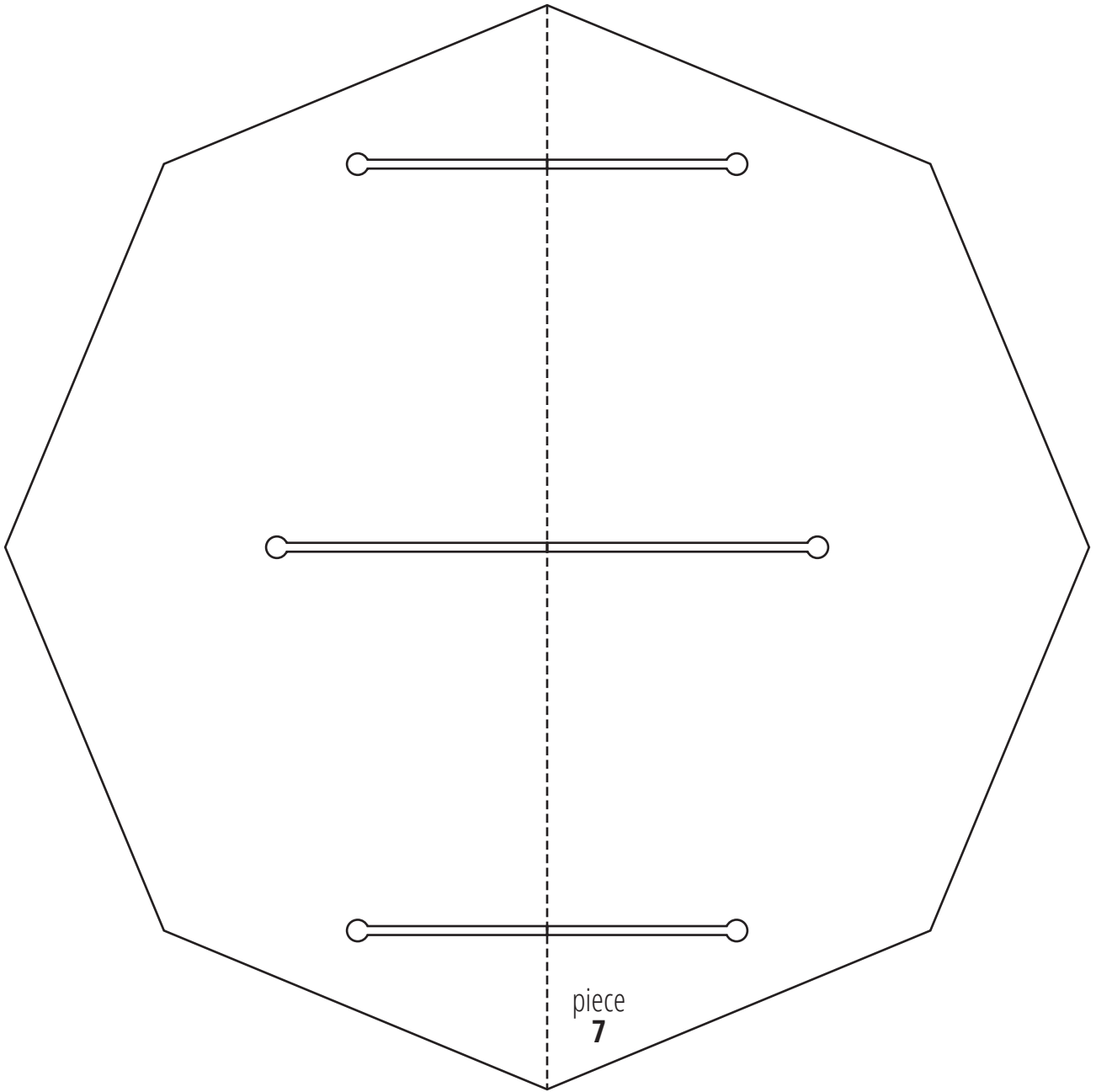


page 6

joachimesque.com/globe

© by-nc-sa 2.0 fr – Joachim Robert 2012

inspired by « *Sectional Globe - earth's axis, 23.4 degrees* » — www.geo-grafia.jp
geografias globes are cheap and neat, you should really consider buying them one.

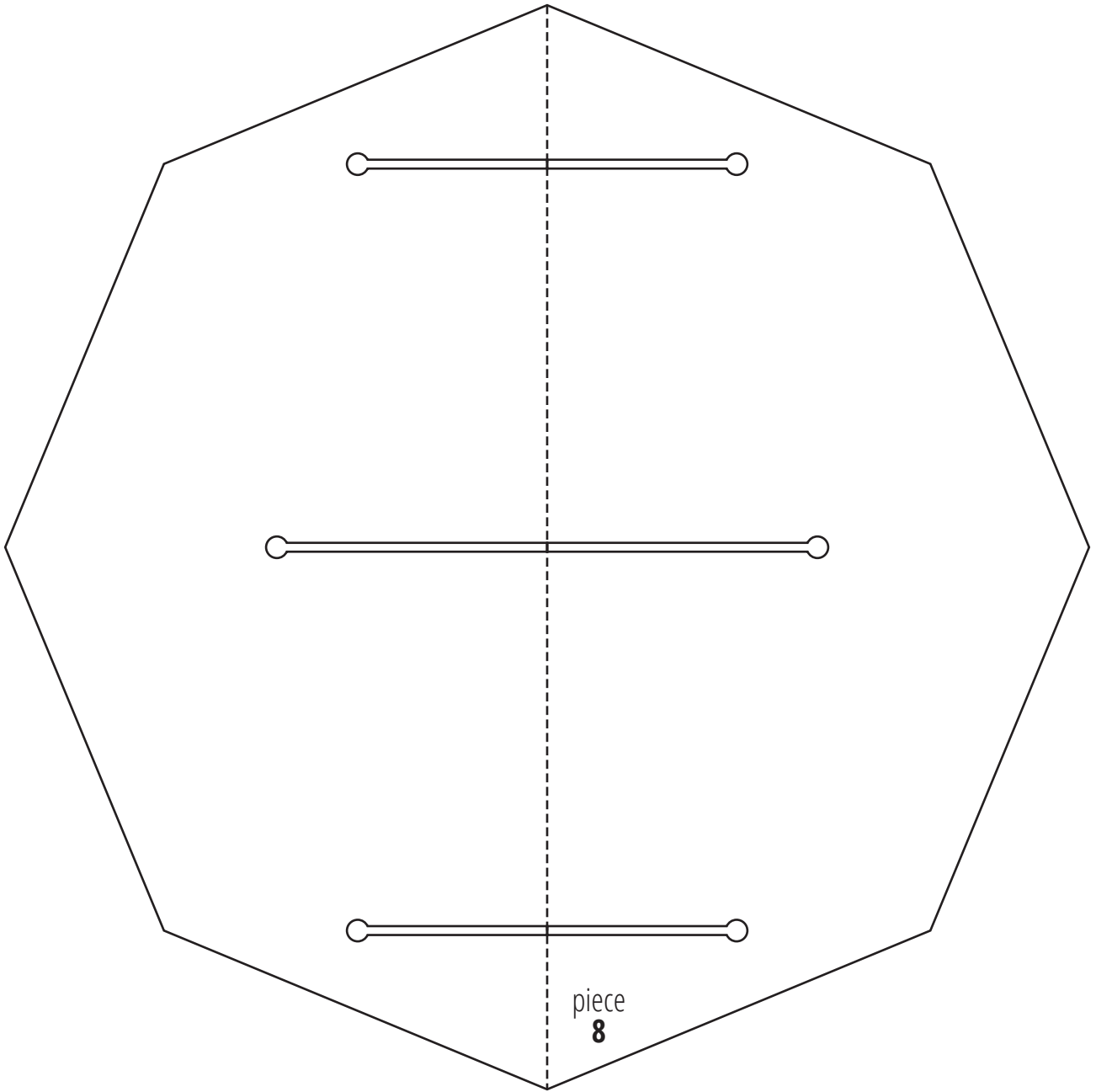


page 7

joachimesque.com/globe

© by-nc-sa 2.0 fr – Joachim Robert 2012

inspired by « *Sectional Globe - earth's axis, 23.4 degrees* » — www.geo-grafia.jp
geografia's globes are cheap and neat, you should really consider buying them one.

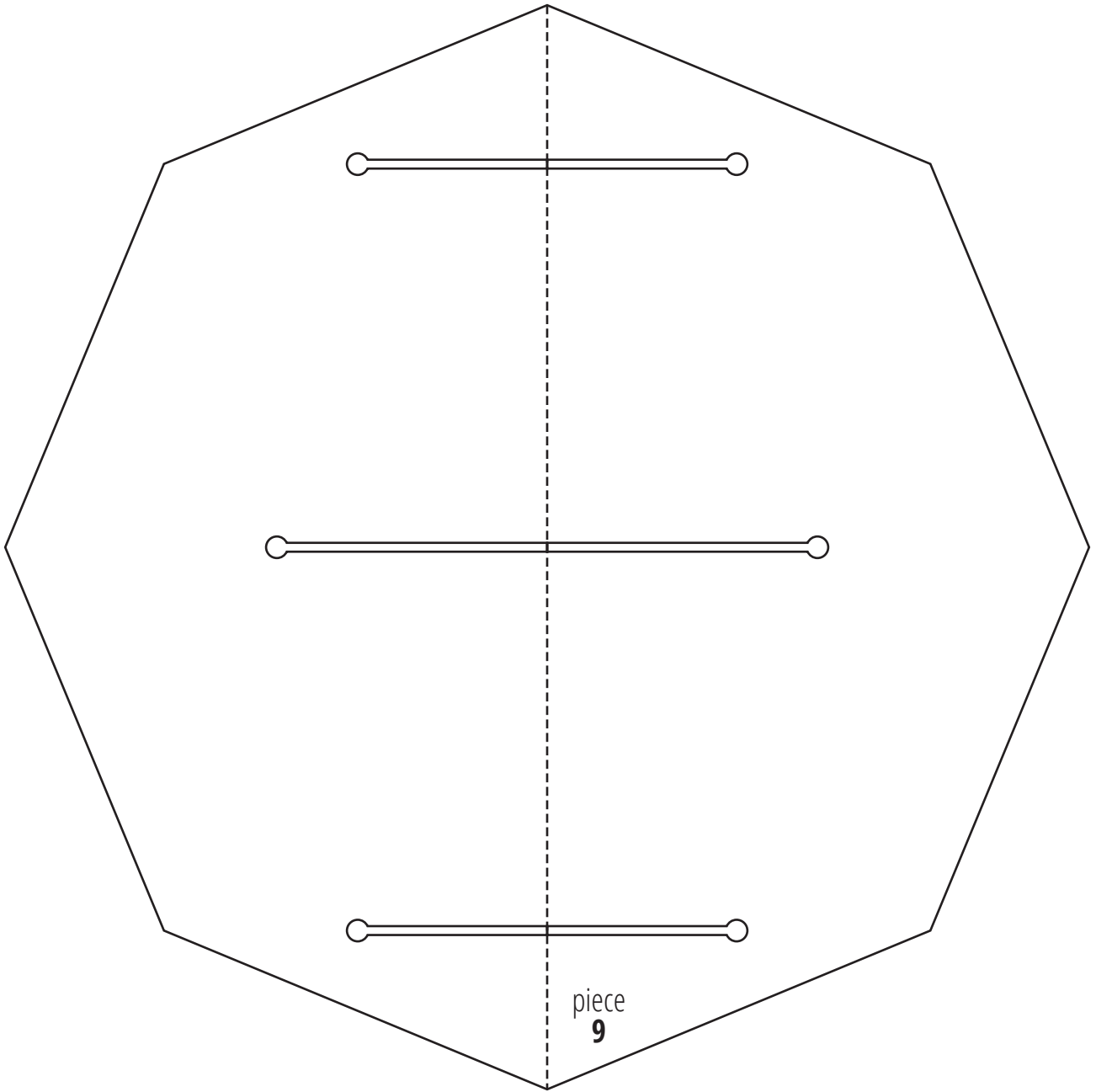


page 8

joachimesque.com/globe

© by-nc-sa 2.0 fr – Joachim Robert 2012

inspired by « *Sectional Globe - earth's axis, 23.4 degrees* » — www.geo-grafia.jp
geografia's globes are cheap and neat, you should really consider buying them one.

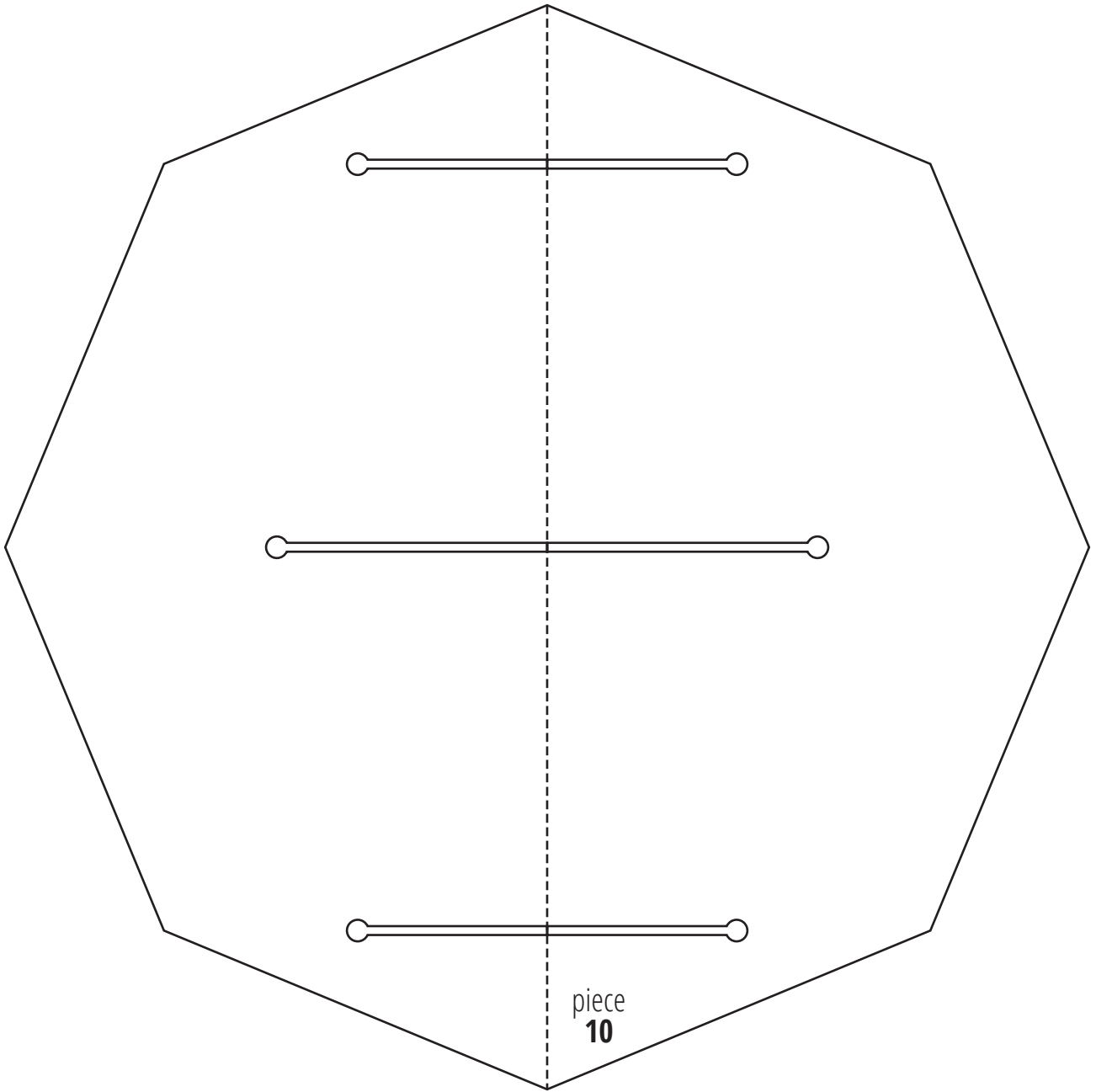


page 9

joachimesque.com/globe

© by-nc-sa 2.0 fr – Joachim Robert 2012

inspired by « *Sectional Globe - earth's axis, 23.4 degrees* » — www.geo-grafia.jp
geografia's globes are cheap and neat, you should really consider buying them one.

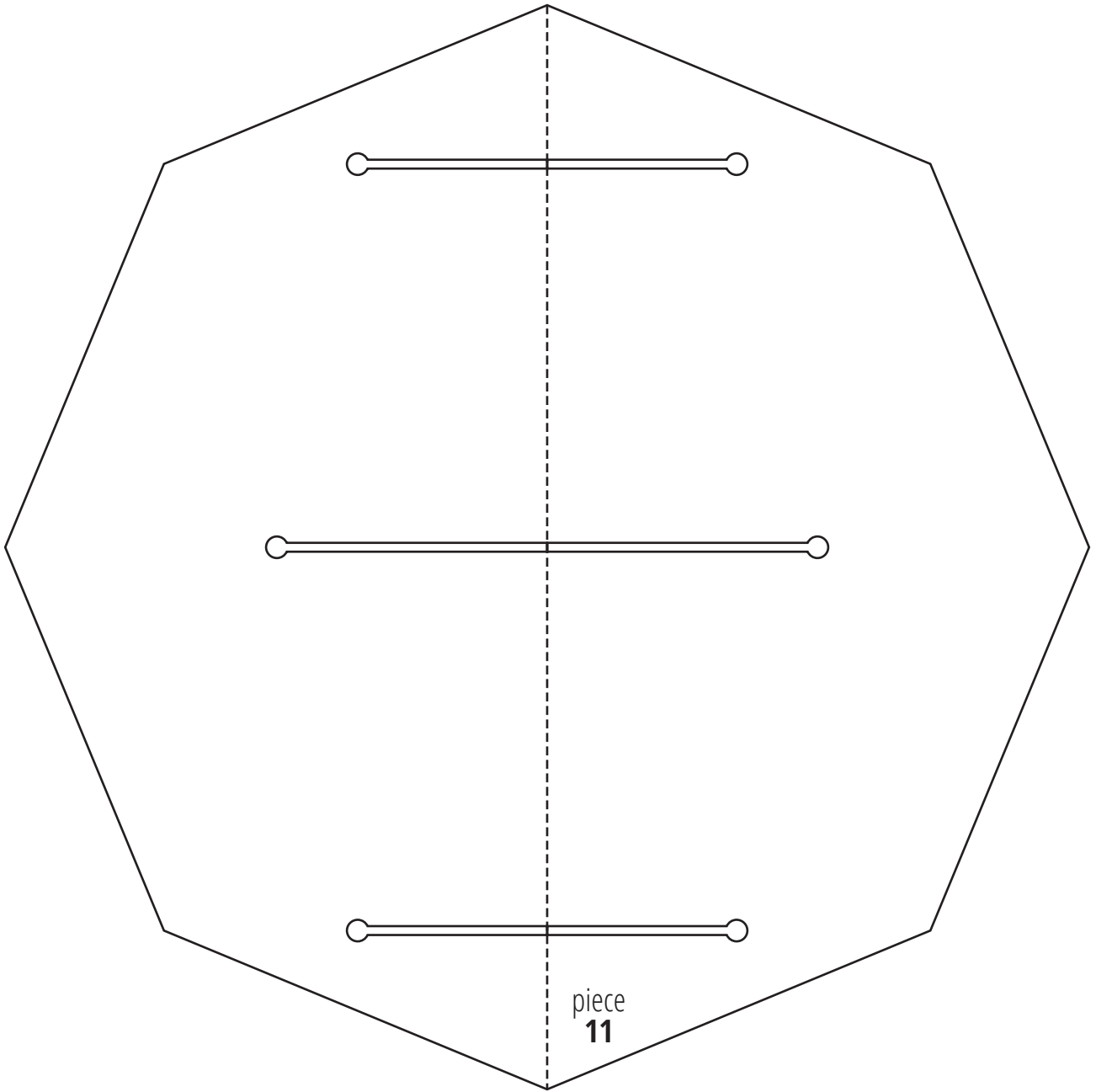


page 10

joachimesque.com/globe

© by-nc-sa 2.0 fr – Joachim Robert 2012

inspired by « *Sectional Globe - earth's axis, 23.4 degrees* » — www.geo-grafia.jp
geografia's globes are cheap and neat, you should really consider buying them one.

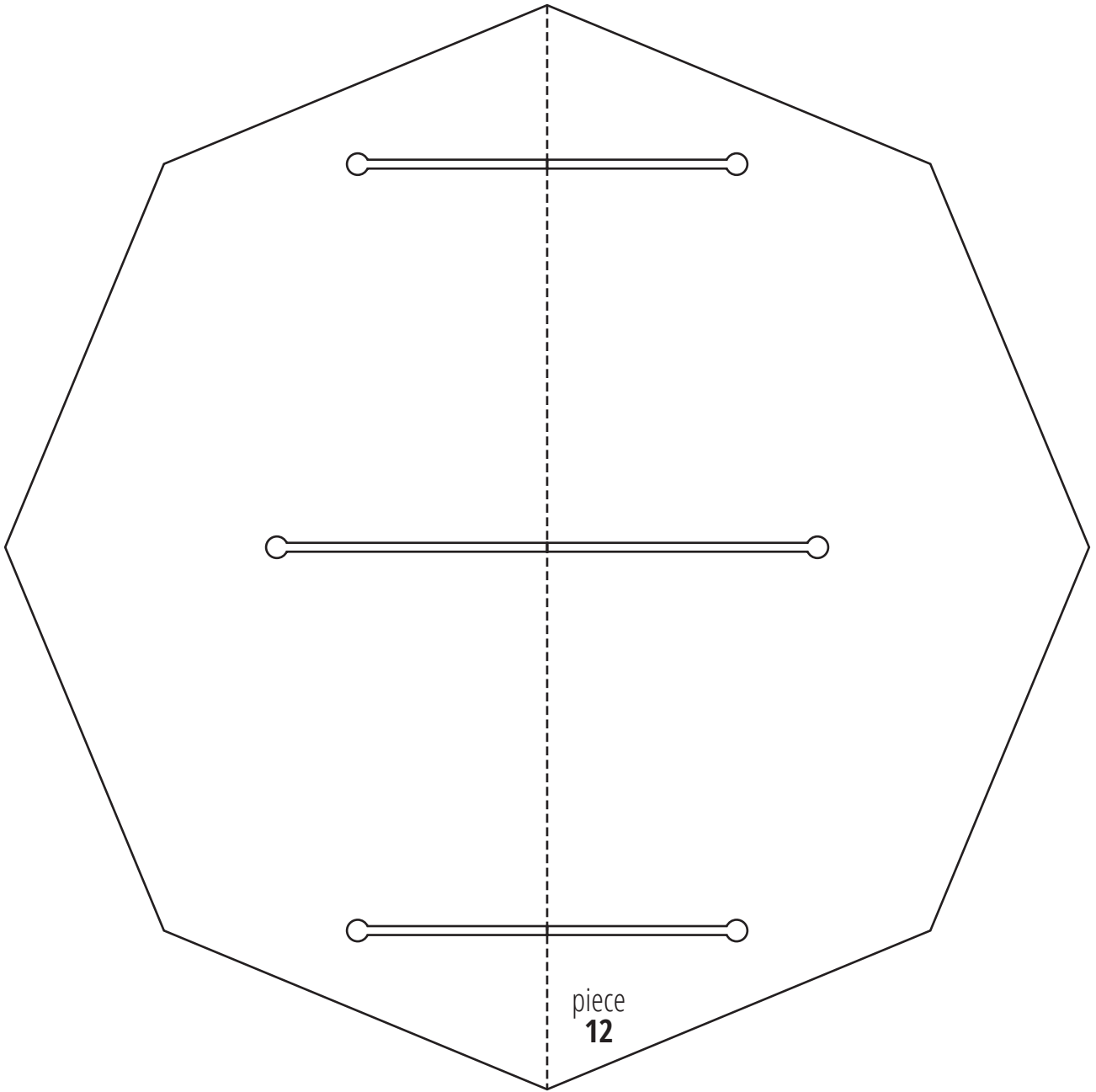


page 11

joachimesque.com/globe

© by-nc-sa 2.0 fr – Joachim Robert 2012

inspired by « *Sectional Globe - earth's axis, 23.4 degrees* » — www.geo-grafia.jp
geografia's globes are cheap and neat, you should really consider buying them one.

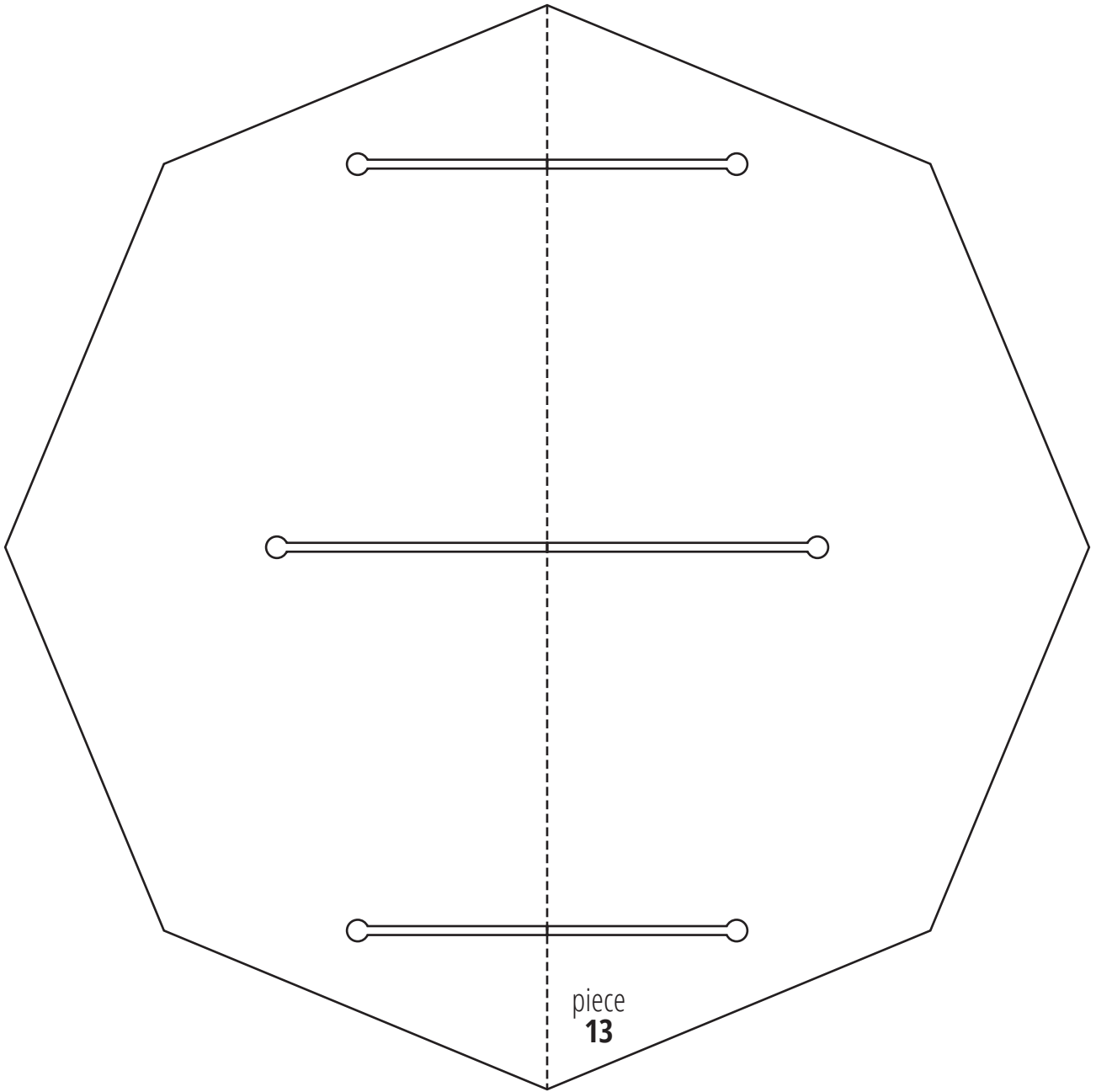


page 12

joachimesque.com/globe

© by-nc-sa 2.0 fr – Joachim Robert 2012

inspired by « *Sectional Globe - earth's axis, 23.4 degrees* » — www.geo-grafia.jp
geografia's globes are cheap and neat, you should really consider buying them one.

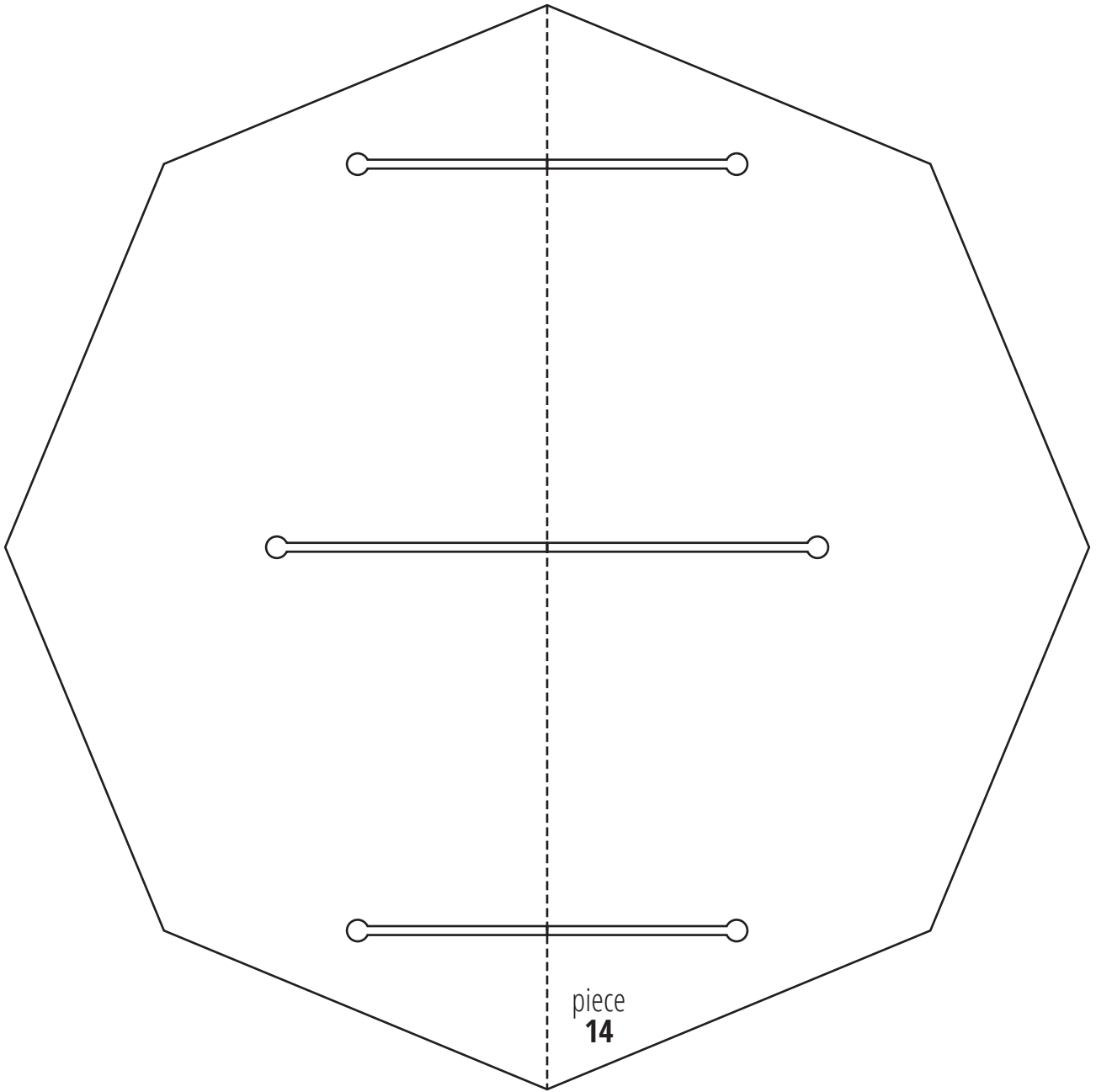


page 13

joachimesque.com/globe

© by-nc-sa 2.0 fr – Joachim Robert 2012

inspired by « *Sectional Globe - earth's axis, 23.4 degrees* » — www.geo-grafia.jp
geografia's globes are cheap and neat, you should really consider buying them one.



page **14**

joachimesque.com/globe

© by-nc-sa 2.0 fr – Joachim Robert 2012

inspired by « *Sectional Globe - earth's axis, 23.4 degrees* » — www.geo-grafia.jp
geografia's globes are cheap and neat, you should really consider buying them one.